

Perth (Head Office)
174 Roe Street
Perth WA 6000

Sydney
15 Short Street
Auburn NSW 2144

Melbourne
891 Princes Highway
Springvale VIC 3171

International
Phone: 61 8 9428 2188
Fax: 61 8 9428 2187

Australia-Wide Sales Hotline
Phone: 1300 797 007 Fax: 1300 789 777

Order Online
www.altronics.com.au

Product Specification Sheet

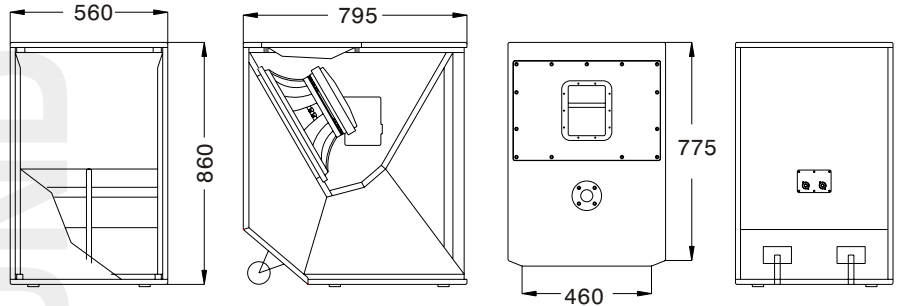
Brand: Biema

Part No	Description	Supplier Ordering Info
C 1043	SPKR SUBWOOFER 18" 600WRMS	T181BII

T SERIES

Biema T Series Professional speaker Technical Specifications and Introduction

MODEL:T181B II



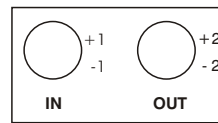
1.Introduction

BIEMA T series professional speaker, one kind of traditional whole-day outdoor project speaker, is the combination of T112AII single 12" two-way full-range speaker, T215AII double 15" three-way full-range speaker, T115F single 15" two-way full-range speaker, T181BII sub-bass speaker and T182B speaker.

BIEMA T series professional speaker is the integration of profound experience, perfect solution and a mass of technique breakthrough accumulated by USA BIEMA audio research and development center in the course of researching and developing loudspeaker, including patent anisomerous horns, its minus sympathetic vibration technique, the acoustic structure of sub-bass rear horn loading and so on. Therefore, reduce the THD which is resulted from the reverberation inside of the horn; the treatment of special material of inside and outside cabinet cooperated by DUBONG company in Germany, increase the Q, reduce the separated vibration to the lease and the whole-day outside use; the cabinet designed by EMINENCE company as the research and development require, has a perfect effect on the characteristic and optimizing configuration of T series speaker.

High sensitivity, high sound pressure transmission, high loading power, high frequency penetration, clear middle frequency, strong low frequency and the perfect accordance of high, middle, low PAN are the strike features of T series speaker. They are suitable for use in big-size and middle-size entertainment ground.

2.Ways of installation and connection

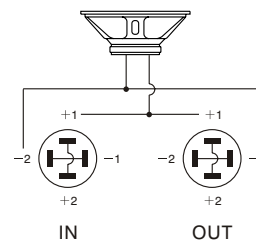


Rear Connecting Figure

4R appropriation jack of input output jack are adopted for convenient. Steady and reliable installation. And extra a high magnitude instructions peak are utilized for the power instruction.

The internal connecting way of **Biema T** serial speciality speaker-box.

Adopt different way according to different type of speaker-box. The connecting way of cs serial low frequency as below:

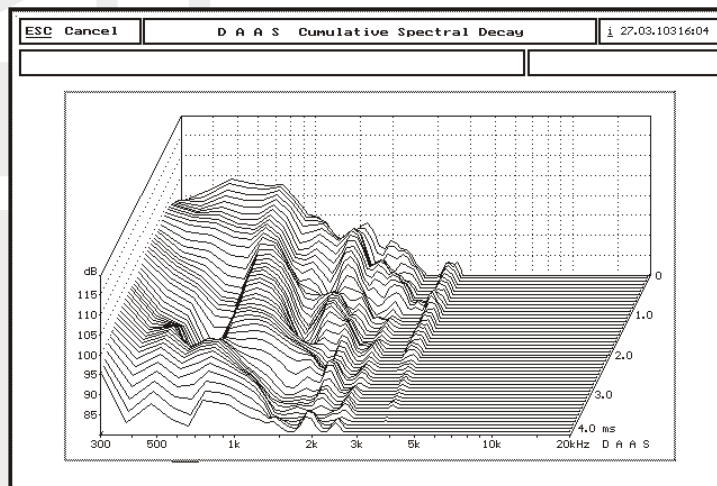
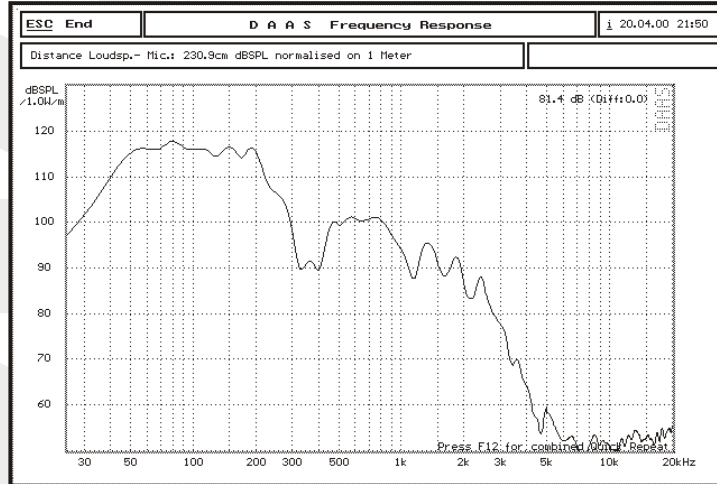


3.Warning

The speaker should not be overloaded at peak power for a long time so as to keep the unit from being damaged.

T SERIES

Biema T Series Professional speaker Technical Specifications and Introduction MODEL: T18IB II



Technical data § Introduction

TYPE	COMPONENTS		IMPEDANCE (Ω)	LONG-TERM POWER(RMS)	FREQUENCY RESPONSE (Hz)	SENSITIVITY (dB)	MAXIMUM SPL (CALCULATED)	DIRECTIVITY ANGLE	CONNECTION	N.W G.W	DIMENSIONS (HxWxD)mm INTERIOR/EXTERIOR
	LOW	HI									
T18IBII	P18W600	-----	8	600	38-500	100	131	-----	NL4R	64.5kg/ 71.5kg	860x560x795/ 946x640x875

Manufacturer: **WIND FORCE ELECTRONIC MANUFACTURING CO.,LTD**

USA division: P.O.Box 2245 Alameda. CA 94501 U.S.A

Tel: 1-510-3379285 Fax: 1-510-7691328 E-mail: biema@comcast.net

China factory: No.4 road 2, Caier industrial and business zone, Shiqiao town, Panyu district, Guangzhou, China

PC: 511400 Tel: 86-20-22871781(export) 22871782(domestic) Fax: 86-20-22871799

E-mail: audio@biema.com