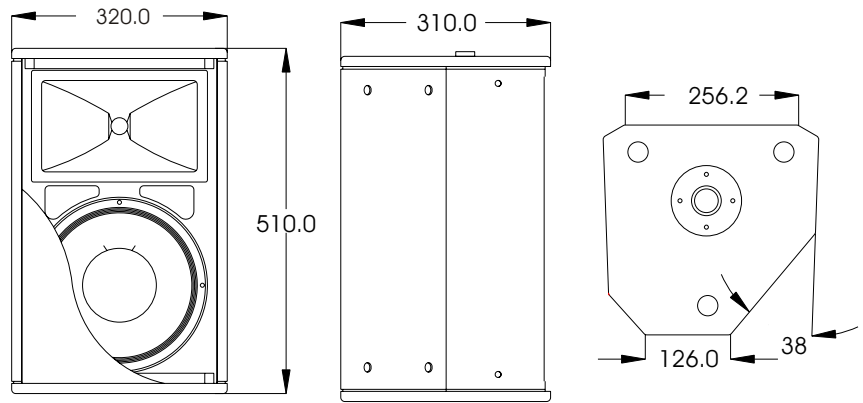


# Biema Professional speaker Technical Specifications and Introduction

## MODEL: 2412/110a



2412/110a

### 1、 Introduction

Biema 2412/110a professional speaker is mediant and alt speaker.

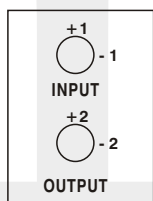
Each speaker unit is carefully selected and the equivalent volume of its cabinet is determined after it is tested with the most sophisticated computer software; all the MPF plywood has been given special acoustic treatment. The layout of inverters and sound-absorbing materials and the development of frequency modulators are systematically tested, adjusted and proven to be fit for optimal operation. Each unit is given a 300-minute warming-up before it is ready for use. During the assembly process, the parameter of each unit is under strict monitoring and infidelity is reduced to the minimum.

2412/110a, a two-way reflex mid and high speaker whose woofer is designed to contain symmetrical magnetic circuit with a small Q and great damping, no separate vibration and good directivity of horns, is especially suitable for use in meeting room, discotheques and function rooms or as a supplementary speaker.

### 2.Ways of installation and connection

In order for the convenience of utilization and installation for Biema serial speciality speaker-box, all speak-boxes unify the connecting way.

The rear connecting figure of speak-boxes as below:

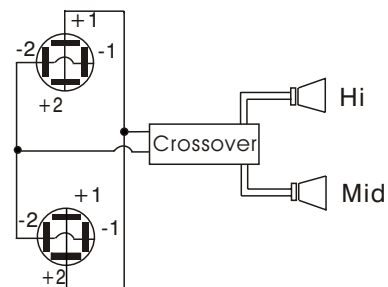


Rear Connecting Figure

4R appropriation jack of input output jack are adopted for convenient, steady and reliable installation and extra a high magnitude instructions peak are utilized for the power instruction.

The internal connecting way of Biema speaker speciality speaker-box.

Adopt different way according to different type of speaker-box. The connecting way of cs serial low frequency as below:



+1 and -1 as the output end of all low frequency unit for speaker-box interior can be utilized through output jack parallel connecting with other low frequency speaker-box (Note that the impedance of the speaker must match power amplifier at the moment).

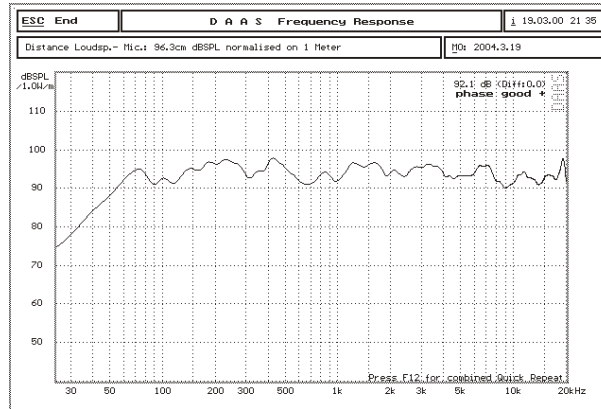
+2 and -2 as the input end of all high frequency unit crossover, for speaker-box interior, can be utilized through output jack parallel connecting with other speaker-box (Note that the impedance of the speaker must match power amplifier at the moment).

### 3.Warning

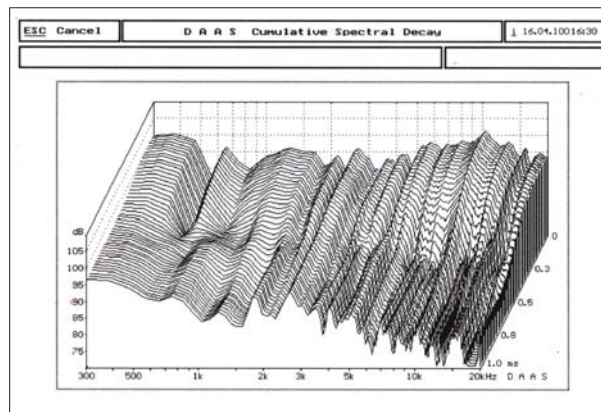
The speaker should not be overloaded at peak power for a long time so as to keep the unit from being damaged.

# Biema Professional speaker Technical Specifications and Introduction

## MODEL: 2412/110a



Frequency Response



Cumulative Spectral Decay

### TECHNICAL DATA \$ INTRODUCTION

MODEL	2412/110a
Frequency response	80Hz-18KHz, $\pm 3$ dB
Axial sensitivity 1W/1m	97dB
Maximum SPL@1m	122dB@10%THD
Nominal impedance	8 $\Omega$
Low/mid driver	1x10"
HF driver	1.5"
Directivity	H60° x V90°
Crossover frequency	2KHz; 12dB per octave
HF protection(passive)	bulb
Power handling capacity	300W RMS
Connector	2xSpeakon@Neutrik NL 4 (Black)